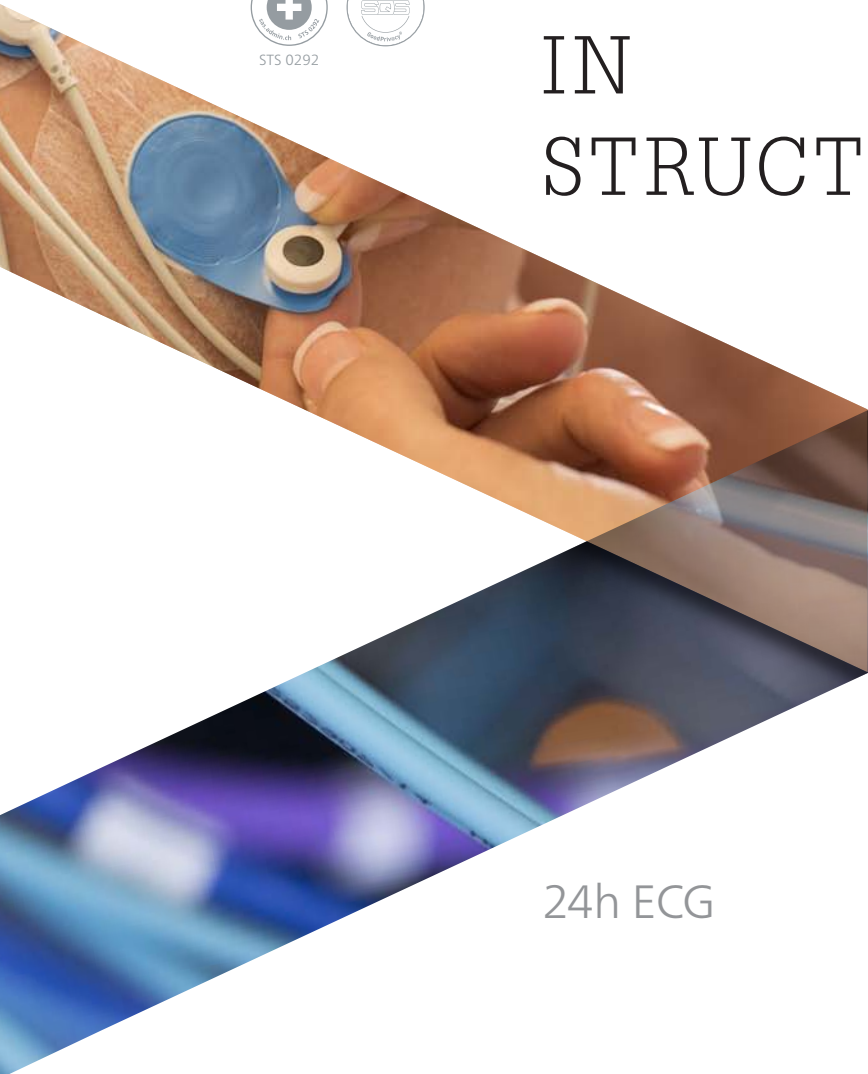




# IN STRUCTION



24h ECG



**VIOLLIER**

# Important information

Start the monitor only when attached to the patient. Do not perform any trial measurements beforehand → monitor cannot be restarted.

- The monitor also works when the blue flashing light goes out. The blue light has no meaning for the recording.
- Pressing the yellow button during recording triggers a beep tone and does not change the recording.
- A beep tone sounds if the chip card falls out during the recording → Insert the chip card again.
- Switch off monitor before removing electrodes.
- Leave batteries in the monitor; do not remove.
- Mobile phones and strong electromagnetic sources can affect the quality of the recording.

## Patient record

Please inform the patient about the diagnostic importance of filling out the patient record correctly and completely.

Note start and end of recording with date and time.

Enter date and time of symptoms, unusual activities, medicines, and sleeping period.

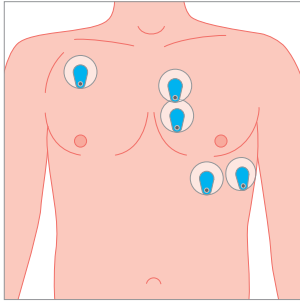
## Identification and analysis

- Patient's personal details
- The date and exact start time of the recording, entered by you
- The monitor and chip card numbers entered by Viollier on the order form

Geräte-Nr.	022
Chip-Nr.	012

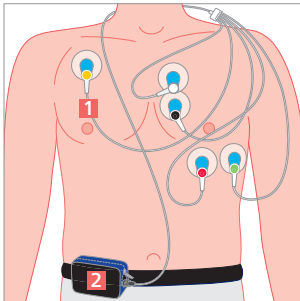
Please use the enclosed order form only, as this already has your address on it.

# Attaching the monitor



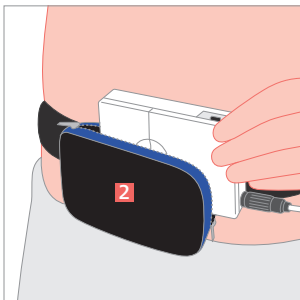
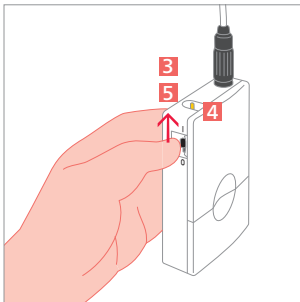
## Mounting the monitor

- Degrease the skin using ethanol 70% and shave the hair for optimal adhesion of the electrodes.
- Position the self-adhesive electrodes as depicted in the diagram.
- Attach the cables with the correct colors as depicted in the diagram:
  - yellow
  - white
  - black
  - red
  - green
- Place the cable around the neck and feed it down the right side of the body → **Cables must not be glued 1.**
- Wear the **monitor 2** in the protective pouch on the belt around the waist.



## Start monitor

- Tilt the black **sliding switch 3** to position I → **Do not switch off again.**
- Start recording: **Press and hold the yellow button 4 for 10 seconds** until a 3-beep tone confirms the start.
- After 24 hours switch off the monitor (position 0) **5**, dismount and return.





## Accessories

- Monitor with plugged-in cable, chip card, and batteries inserted
- Protective pouch with adjustable belt
- Self-adhesive electrodes
- Order form, patient record, and instructions for use
- Closure tape for return

## Return

After completing the recording, please return the monitor to us **with the cable plugged-in**, chip card, protective pouch, belt, order form, and patient record.

- by Customer service
- by mail

Please follow the instructions for the return of the box:

- Remove the label from the window, turn it over  
→ **Viollier AG address is visible**
- Insert the label into window
- Close the box with the enclosed closure tape
- Viollier will pay the postage

